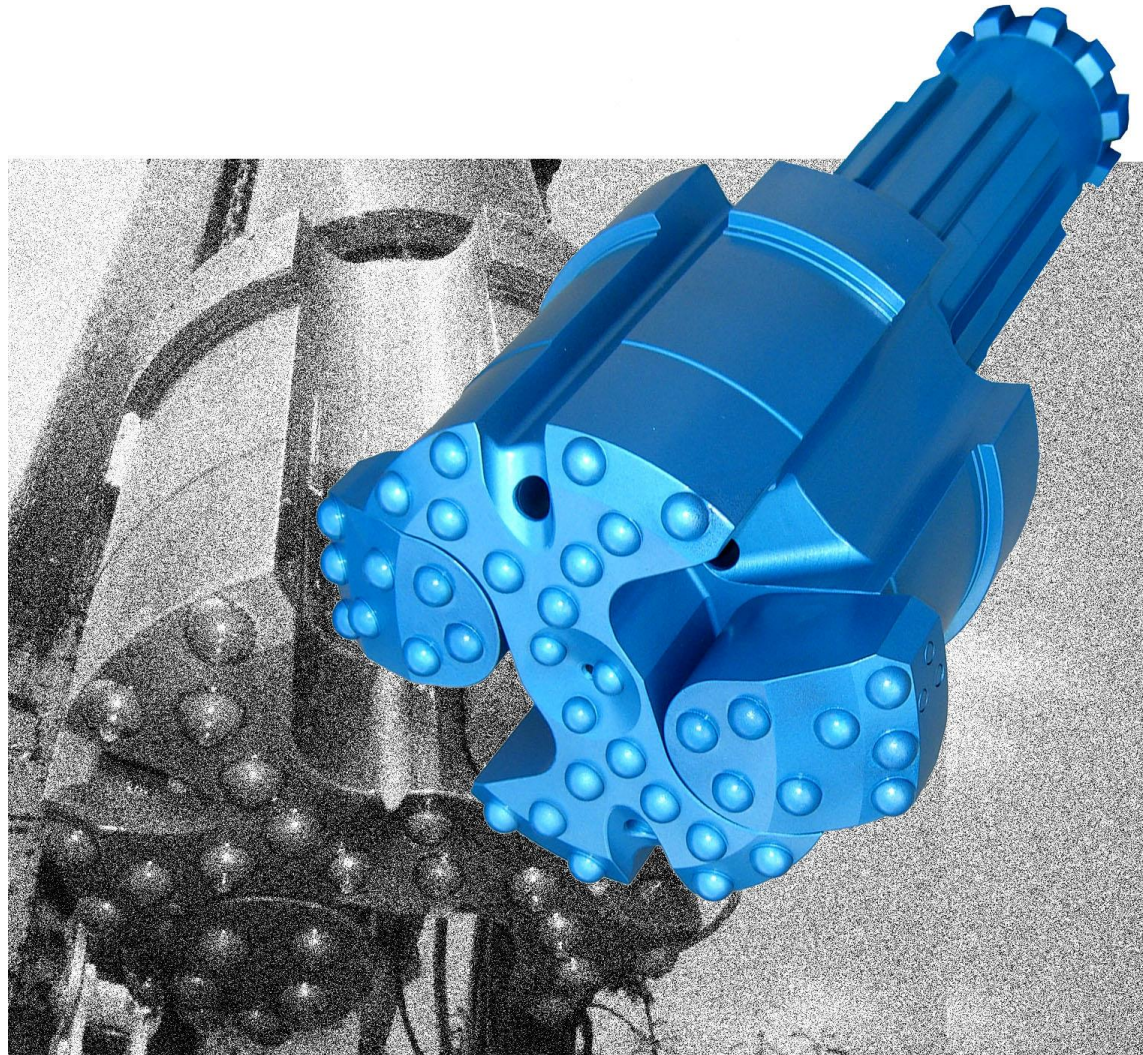


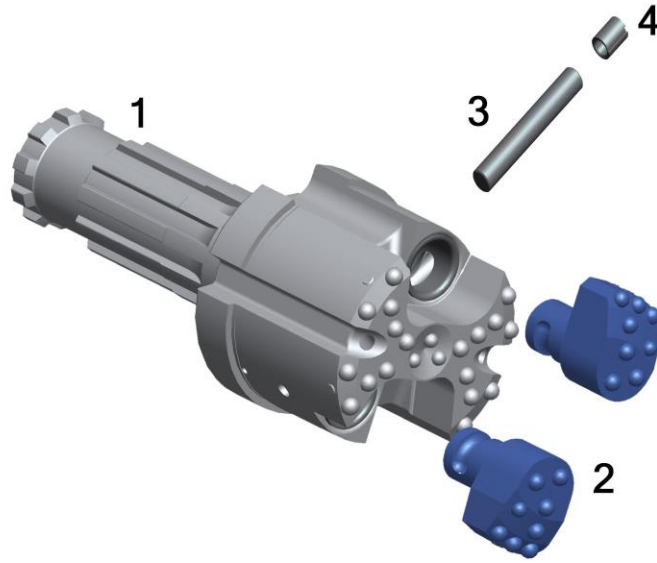
PITUMEC

THE PCON-E 230 CONCENTRIC UNDERREAMING SYSTEM



CASING SIZE 273MM OD X 248MM ID DRILLING DIA. 293MM

PNEUMEC PCON-E 230 CONCENTRIC UNDERREAMING SYSTEM



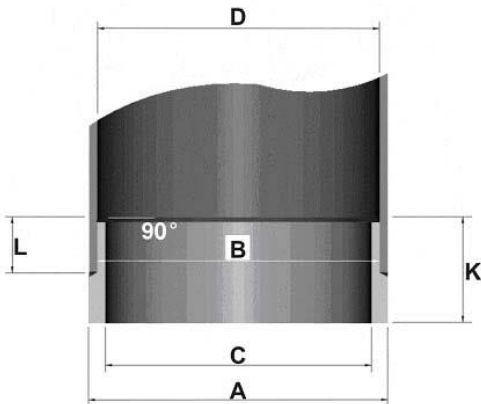
PCON-E 230 PARTS LIST

1.	DRIVER BIT DHD380 SHANK	UGD230380PCE
2.	REAMER(2)	UBS235PCE
3.	LOCKING PIN	USP23050PCE
4.	SPLIT PIN	USP23051PCE
5.	COMPLETE SYSTEM	UCS230380PCE

PCON-E 230 SPECIFICATIONS

UPPER BODY DIAMETER	246MM	CLOSED DIAMETER	230MM
REAMING DIAMETER	293MM	CASING SIZE	273MM OD X 248MM ID
SYSTEM LENGTH	590MM	SYSTEM WEIGHT	100KG

PCON-E 230 CASING SHOES



DIA. A	273MM
DIA. B	246MM
DIA. C	233MM
DIA. D	248MM
L	44MM
K	95MM



PNEUMEC COMPANY LIMITED

1st Floor, Tin On Sing Comm. Bldg., 41-43 Graham St. Central, H.K.
 Tel : (852) 2180 9922 Fax : (852) 2180 9982
 Website : www.pneumec.com email : info@pneumec.com